

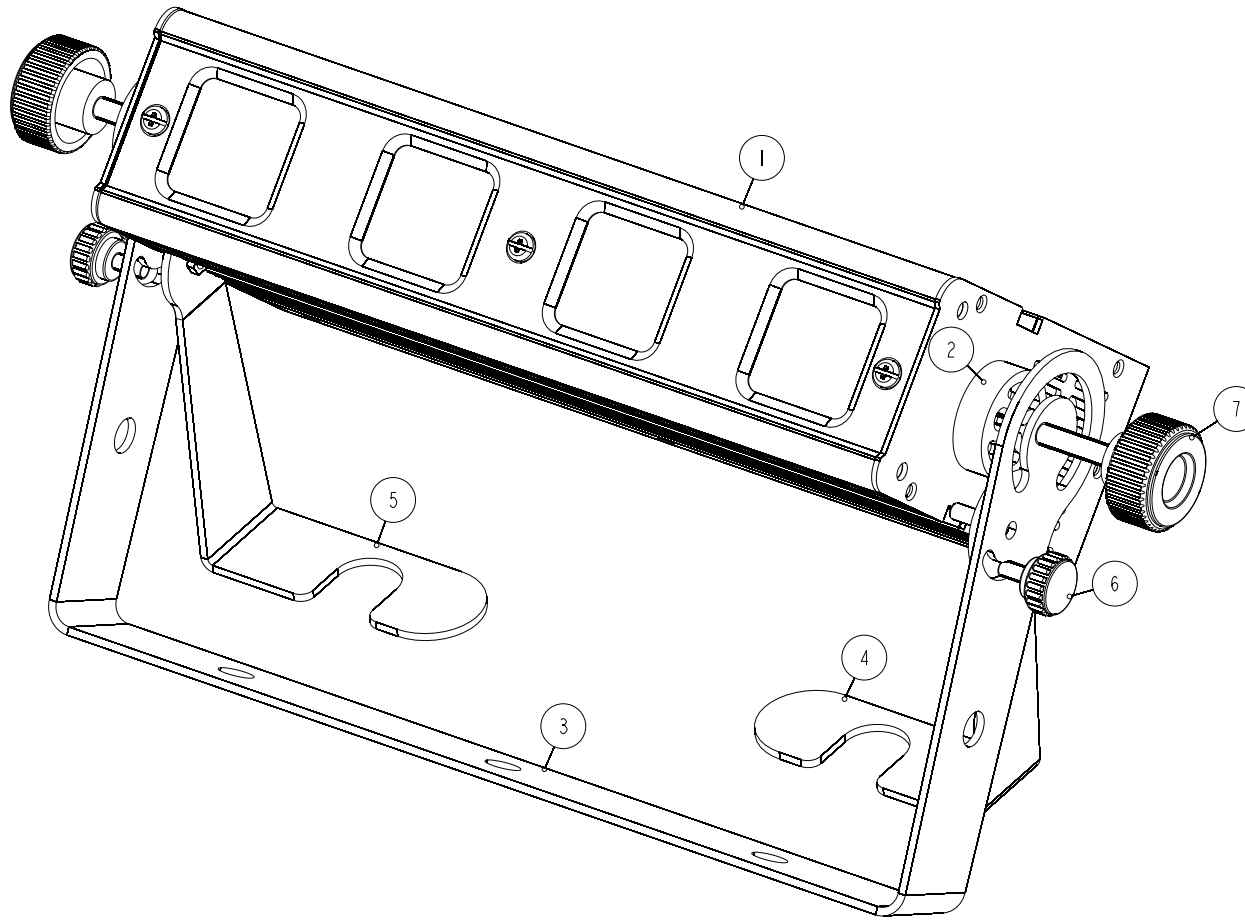
Service manual

DLED 36 BRICK

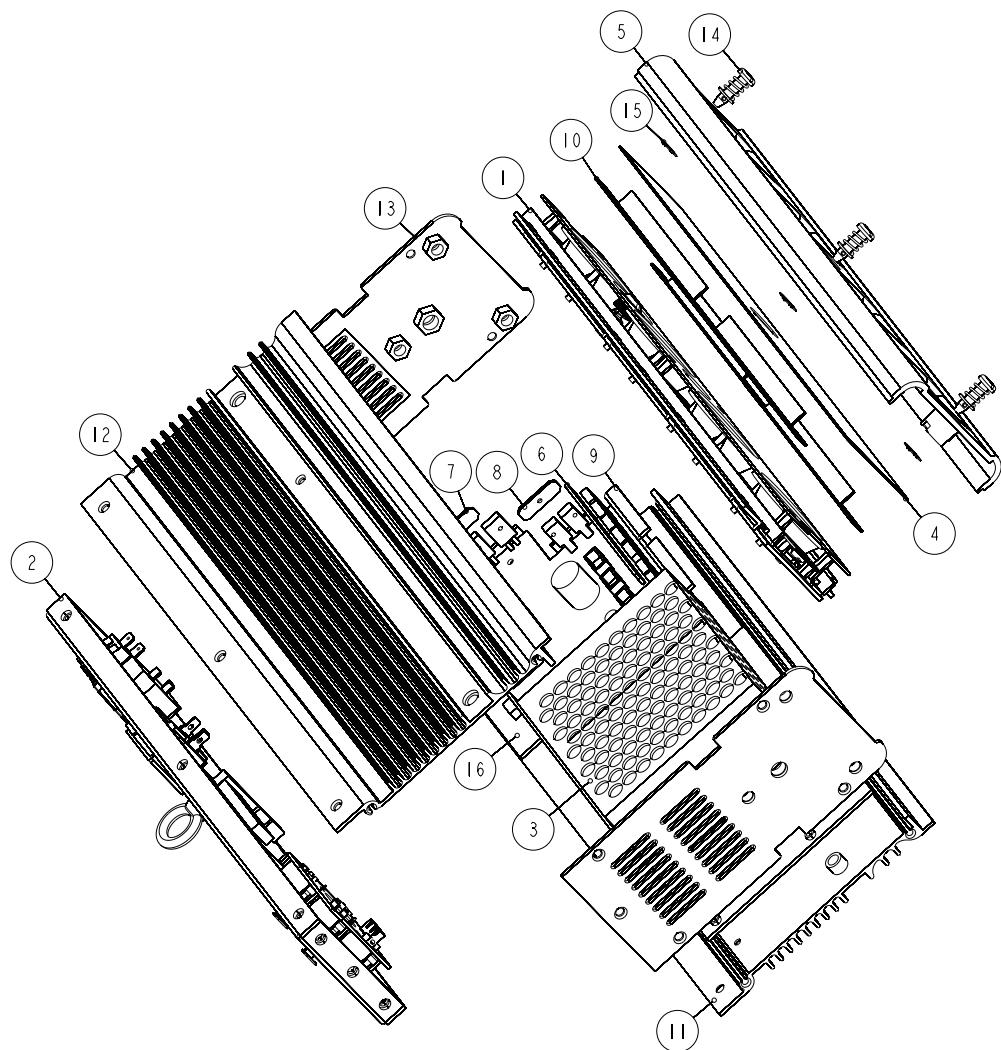
- ※ **Exploded Diagrams**
- ※ **Circuit Diagrams**
- ※ **Wiring Diagrams**
- ※ **Parts List**



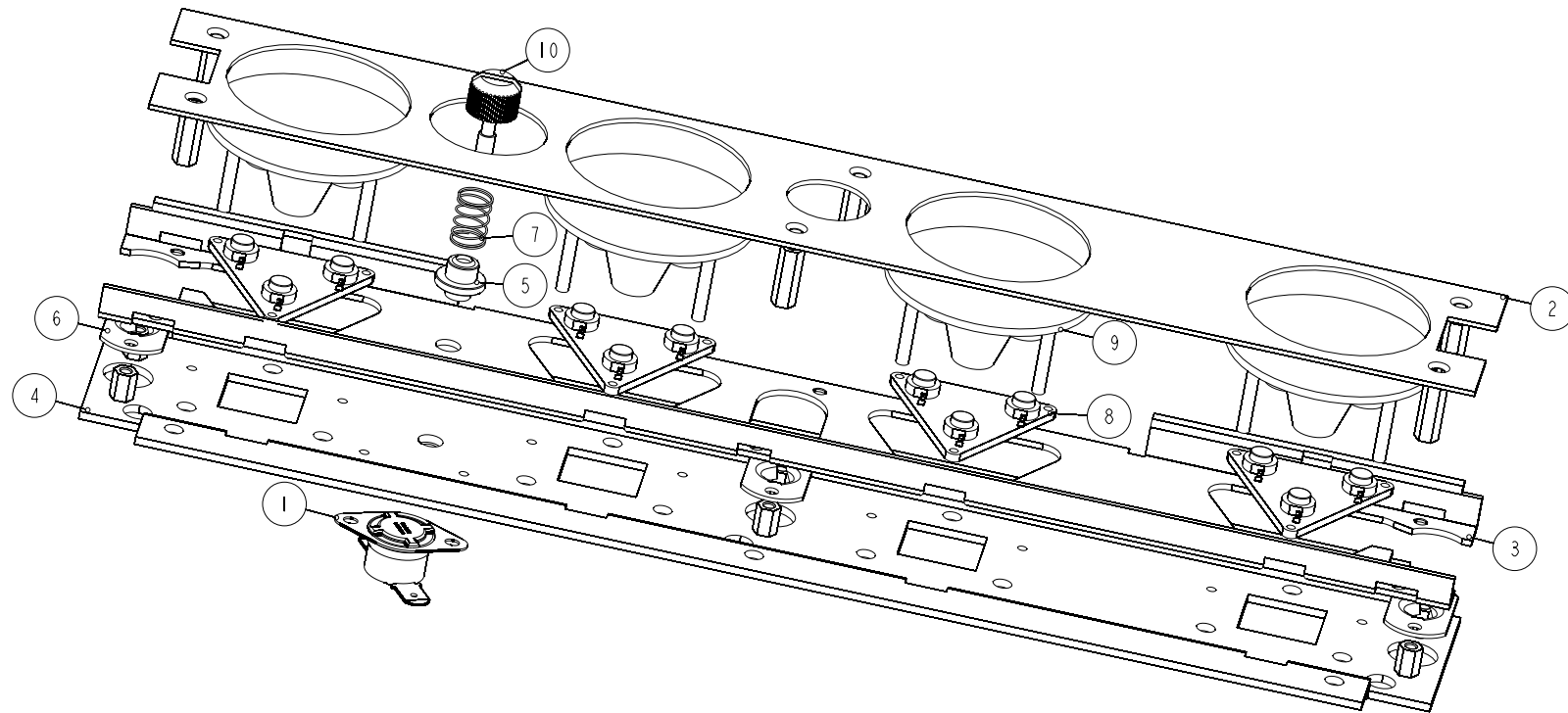
PRODUCT		DLED 36 BRICK	
PIC. NO.		Front Page	
EDIT		FILE NO.	GS-EXP-493A
CHECK		ORDER NO.	SO20080319
APPROVE		VERSION	NR SOFTWARE VER. V1.0



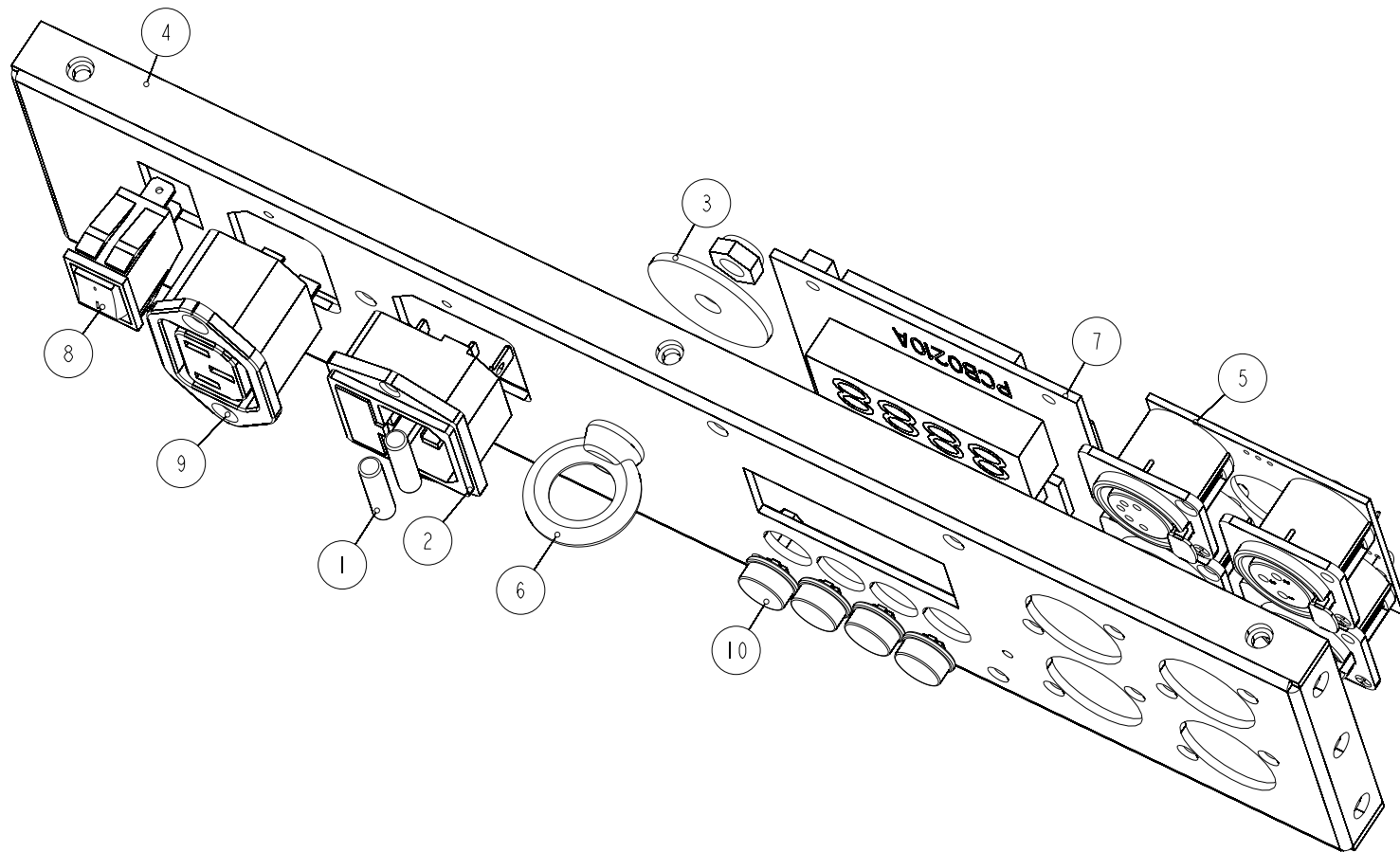
PRODUCT		DLED 36 BRICK			
PIC. NO.		10-0071-00-00-00			
EDIT		FILE NO.	GS-EXP-493A	PAGE NO.	1/9
CHECK		VERSION	NR	DATE	2008. 11. 29
APPROVE		ECN NO.		DATE	



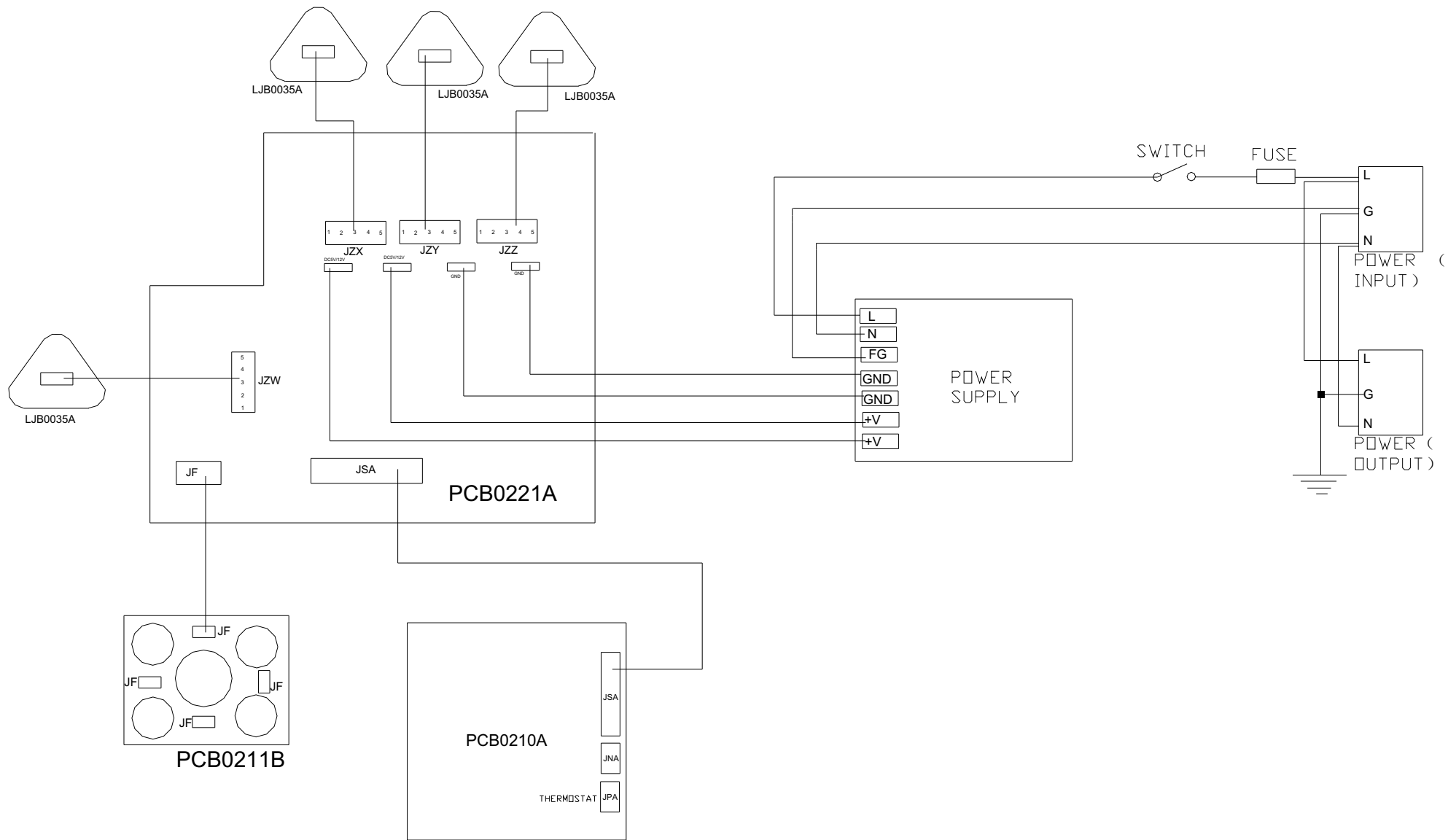
PRODUCT		DLED 36 BRICK			
PIC. NO.		10-0071-01-00-00			
EDIT		FILE NO.	GS-EXP-493A	PAGE NO.	2/9
CHECK		VERSION	NR	DATE	2008. 11. 29
APPROVE		ECN NO.		DATE	



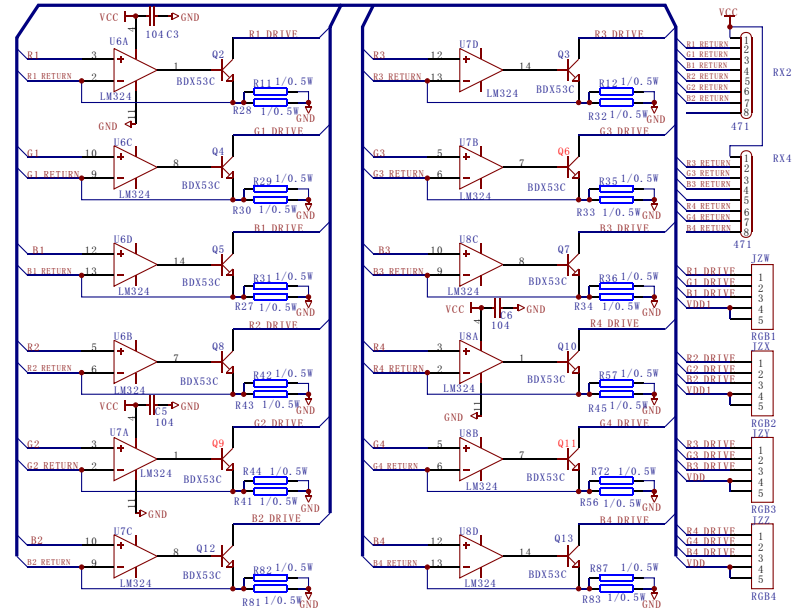
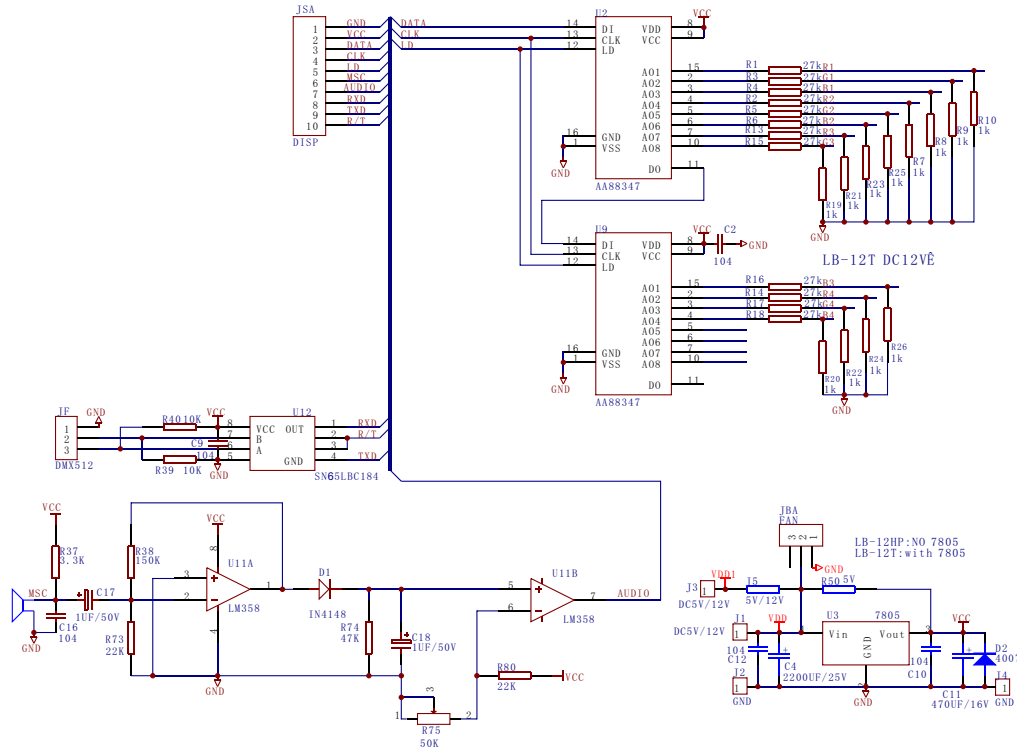
PRODUCT		DLED 36 BRICK			
PIC. NO.		10-0071-01-01-00			
EDIT		FILE NO.	GS-EXP-493A	PAGE NO.	3/9
CHECK		VERSION	NR	DATE	2008. 11. 29
APPROVE		ECN NO.		DATE	



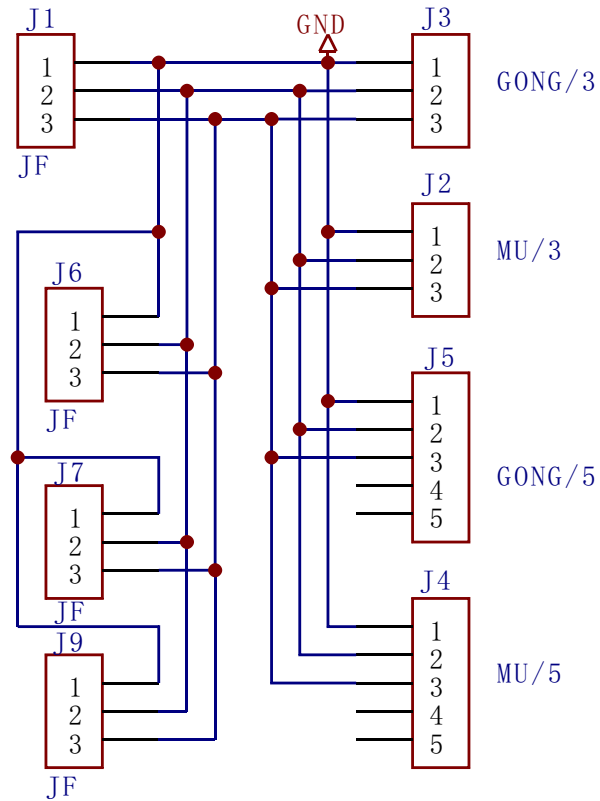
PRODUCT		DLED 36 BRICK			
PIC. NO.		10-0054-01-02-00			
EDIT		FILE NO.	GS-EXP-493A	PAGE NO.	4/9
CHECK		VERSION	NR	DATE	2008. 11. 29
APPROVE		ECN NO.		DATE	



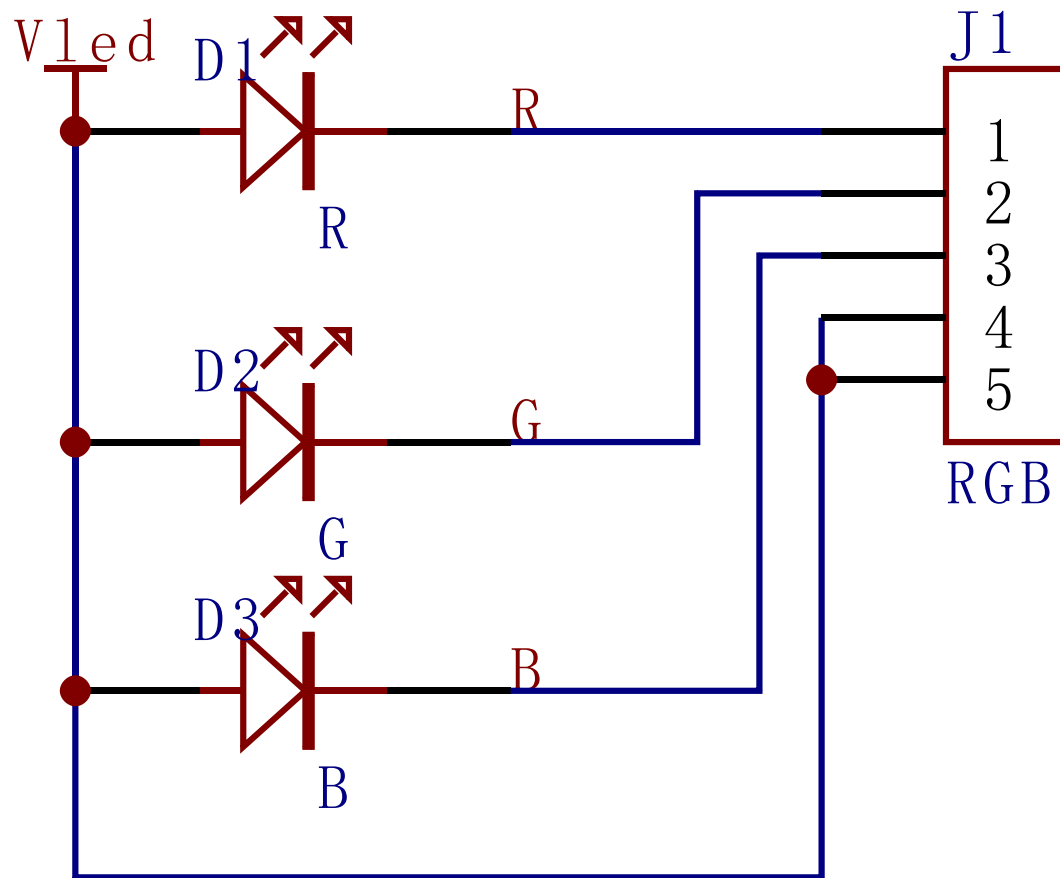
PRODUCT		DLED 36 BRICK			
PIC. NO.		LB12C ELECTRIC			
EDIT		FILE NO.	GS-WIJL-G028	PAGE NO.	5/9
CHECK		VERSION	NR	DATE	2008. 11. 29
APPROVE		ECN NO.		DATE	



PRODUCT		DLED 36 BRICK			
PIC. NO.		PCB0221A SCHEME			
EDIT		FILE NO.	GS-WIDL-265	PAGE NO.	6/9
CHECK		VERSION	NR	DATE	2008. 11. 29
APPROVE		ECN NO.		DATE	



PRODUCT		DLED 36 BRICK			
PIC. NO.		PCB0211B SCHEME			
EDIT		FILE NO.	GS-WIDL-263	PAGE NO.	8/9
CHECK		VERSION	NR	DATE	2008. 11. 29
APPROVE		ECN NO.		DATE	



PRODUCT		DLED 36 BRICK			
PIC. NO.		LJB0035A SCHEME			
EDIT		FILE NO.	GS-WIDL-299	PAGE NO.	9/9
CHECK		VERSION	NR	DATE	2008. 11. 29
APPROVE		ECN NO.		DATE	